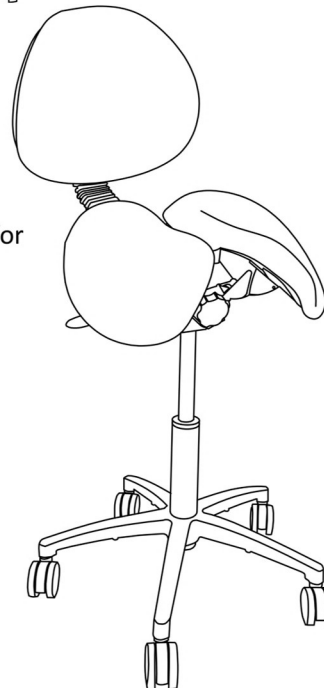
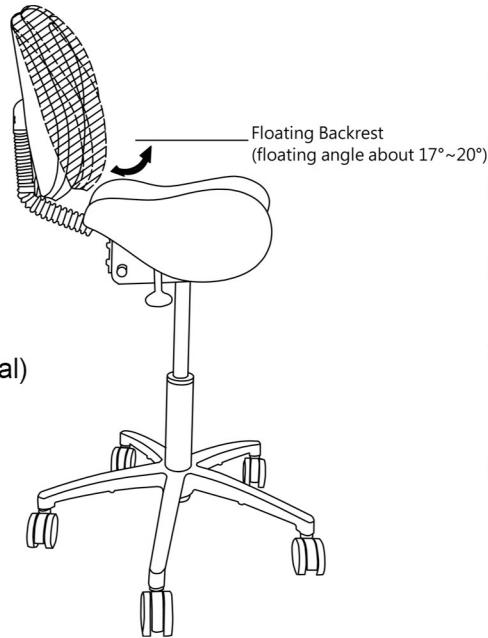
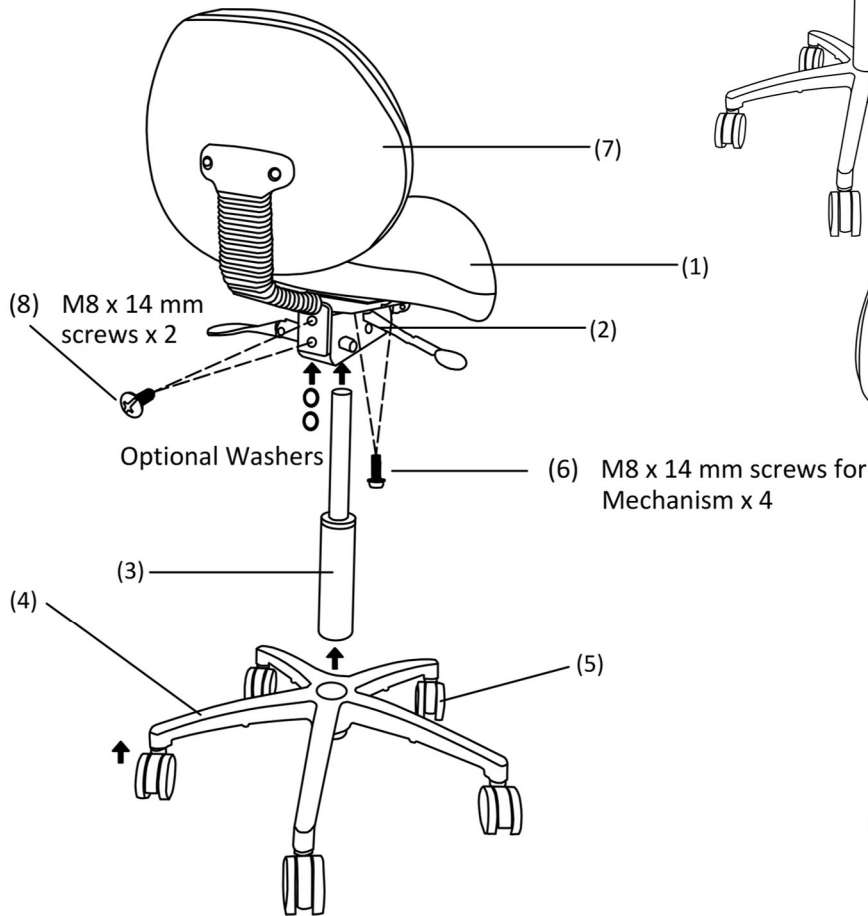


# Y13556 / Y13557 Backrest Twin Saddle Stool Assembly Instructions

## Parts Listing

- (1) Seat top
- (2) Mechanism ( W/Back Adjustment Function)
- (3) Gas cylinder
- (4) Aluminum base
- (5) Casters
- (6) M8 x 14 mm screw 4 pcs
- (7) Backrest
- (8) M8 x 14 mm screws 2 pcs & washers 2 pcs (optional)



## Please Read Instruction Before Assembly

### \*\*Tools needed : Phillips Head Screwdriver

- Step 1 : Insert the 5 casters (5) into the outer holes on the base (4).
- Step 2 : Insert the bottom end of the Gas cylinder (3) into the center hole of the base
- Step 3 : Connect the mechanism (2) with Seat top (1) by using 4 pcs M8 x 14 mm screws (6) and tightening it up.
- Step 4 : Place the Seat top (1) with mechanism (2) on top of the Gas cylinder (3) and make sure the top of Gas cylinder has been properly fitted into the hole of Seat mechanism
- Step 5 : Attach the J-bar of the backrest (7) to the two rear holes on the seat mechanism with two M8 x 14 mm screws (8). If desired, the back rest can be positioned further back by inserting one (1) or two (2) washers as spacers between the mechanism and the J-bar. Securely tighten all screws.

**\*\* To adjust Seat height, lift right handle up or down to desired position.**

**\*\* To adjust Seat posture, pull up the left handle to adjust posture, then push it down to set desired posture.**

*Caution: Do not use this chair as a step ladder  
Check for loose screws and tighten them every month.*

**Questions? Call Customer Service at 1-800-443-5117  
Monday - Friday 8:30 AM to 5:00 PM Central Time**