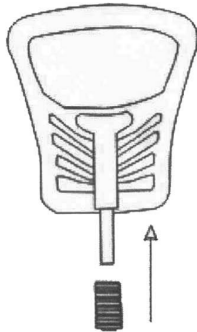
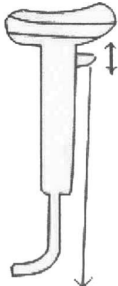
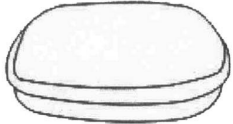
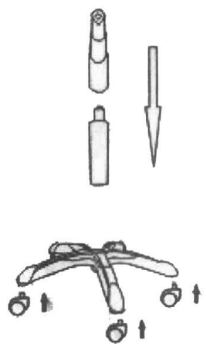
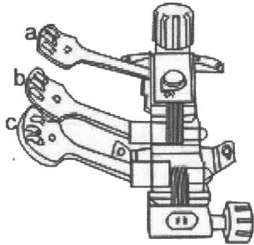



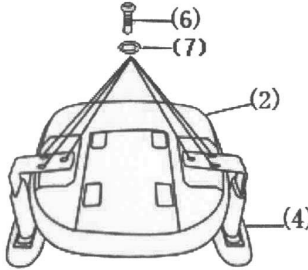


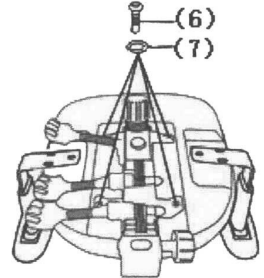
Y13371 & Y13372 MESH TASK CHAIR INSTRUCTIONS

<p>(1) X1</p> 	<p>(4) X2</p>  <p>Pull up or press down to adjust the armrest height.</p>
<p>(2) X1</p> 	<p>(5) X1</p> 
<p>(3) X1</p>  <p>a: Height Controller b: Tilt c: Backrest Controller</p>	<p>(6) X10 6X25</p>  <p>(7) X10 6X18</p>  <p>(8) X1</p> 

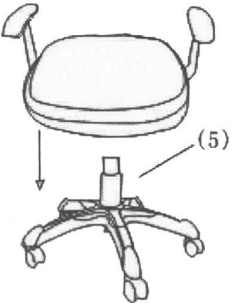
① Assemble the arm as show below




② Assemble the mechanism as show below



③



④ Assemble the backrest as show below



After you insert the back into the mechanism and adjust to desired height, turn the button counter-clockwise until it is screwed in tightly.

⑤

