

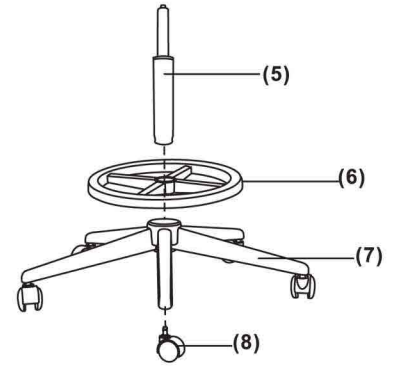
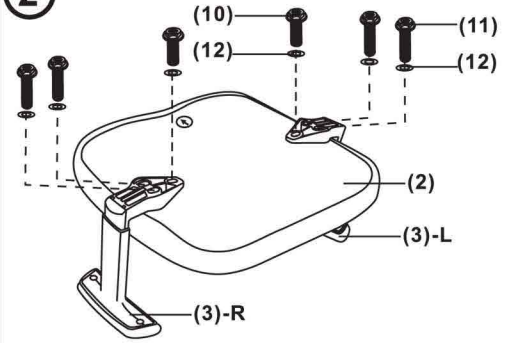
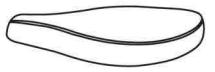

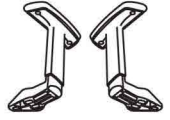

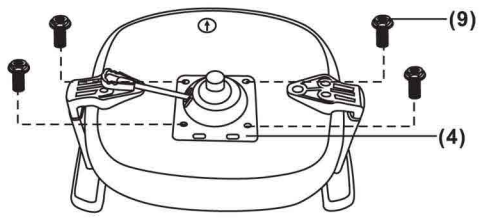
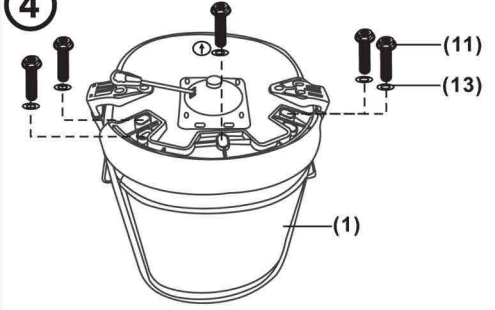
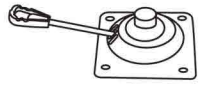

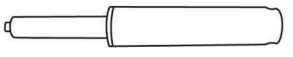



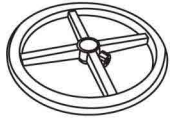





Y11508 - Mesh Stool Chair Assembly Instructions

(1)X1 	(8)X5 	1 	2 
(2)X1 	(9)X4 		
(3)X1(L)X1(R) 	(10)X2 	3 	4 
(4)X1 	(11)X9 		
(5)X1 	(12)X6 	5 	6 
(6)X1 	(13)X5 		
(7)X1 	(14)X1 		

Screws and washers are located in the holes. Use Allen Wrench to back them out for assembly.

Questions? Call Customer Service at 1-800-443-5117, Monday - Friday 8:30 AM to 5:00 PM Central Time
www.modernofficefurniture.com