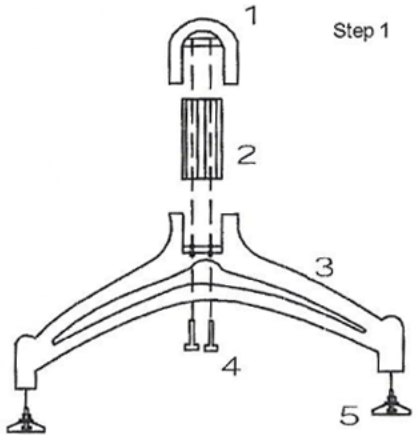
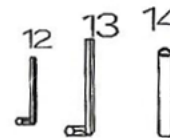
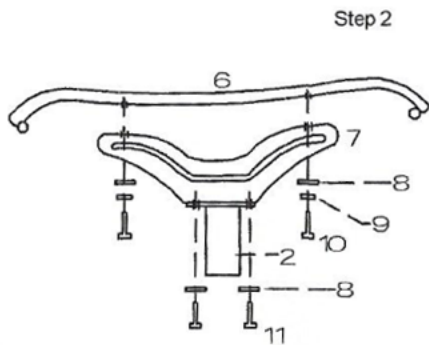
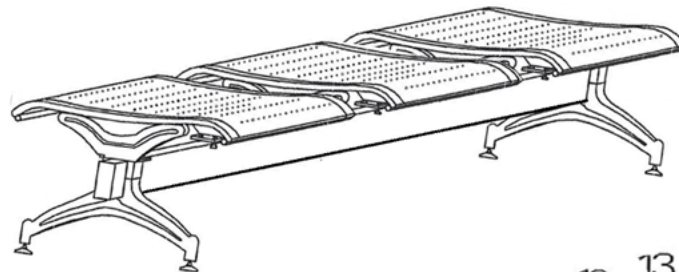


SJ8202-3 - 3 Seat Beam Seater Instructions
(instructions also apply towards 4 and 5 seater, although quantities of hardware will increase)



Step 3



Part No.	Description	Qty
1	Fixed Cover	2
2	Beam	1
3	Leg	2
4	110mm bolt	6
5	Leveling foot	4
6	Seat	3
7	Seat Support Bracket	6
8	Washer	24
9	Spring Washer	12
10	120 mm Bolt for Seat	12
11	160 mm Bolt for Suport	12
12	Small Allen Wrench	1
13	Large Allen Wrench	1
14	Allen Wrench Extender	1