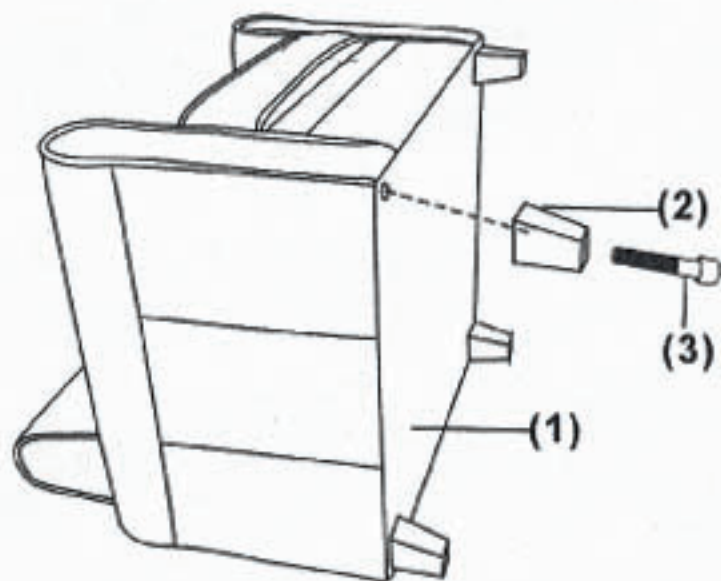


(1)X1



①



(2)X4



(3)X4



②

(4)X1

