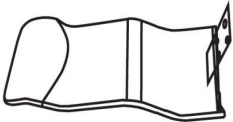

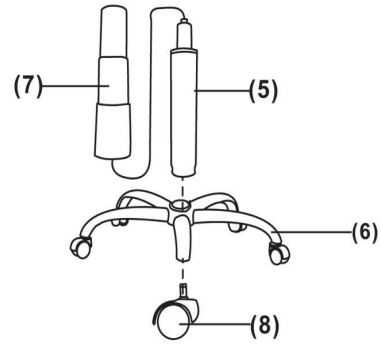
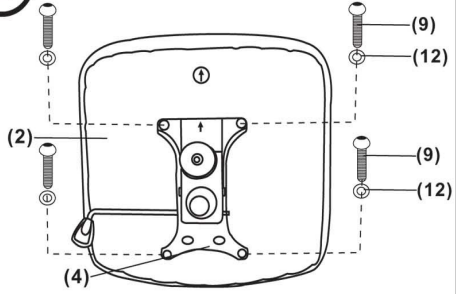


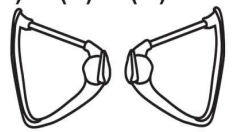



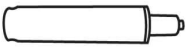



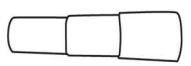

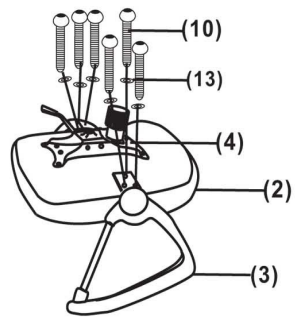
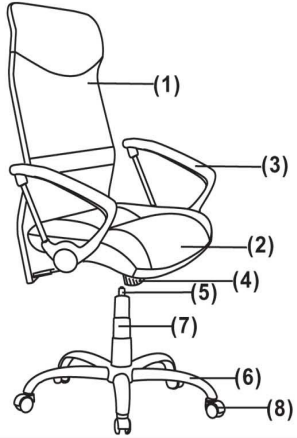
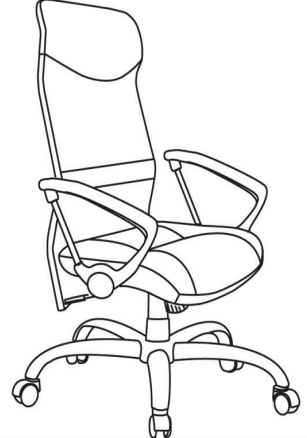


Y9462 - Mesh High Back Chair Assembly Instructions

(1)X1 	(8)X5 	<p>1</p> 	<p>2</p> 
(2)X1 	(9)X4 		
(3)X1(L)X1(R) 	(10)X6 		
(4)X1 	(11)X4 		
(5)X1 	(12)X8 		
(6)X1 	(13)X6 		
(7)X1 	(14)X1 		
<p>3</p> 			
<p>5</p> 		<p>6</p> 	

Screws and washers are located in the holes. Use Allen Wrench to back them out for assembly.

Questions? Call Customer Service at 1-800-443-5117, Monday - Friday 8:30 AM to 5:00 PM Central Time
www.modernofficefurniture.com