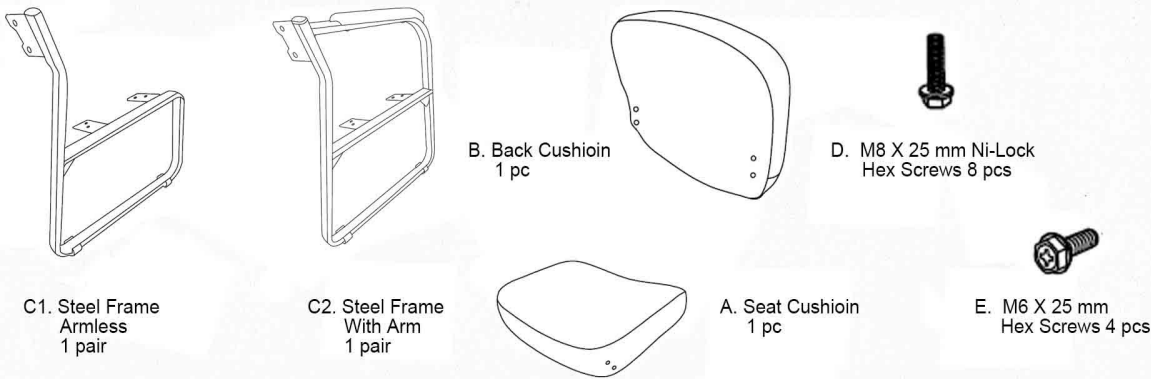


MODELS : 408VAF/408VAV/408VNF/408VAV

GUEST/RECEPTION CHAIR



Assembly Instructions

Tools Needed : Phillips Head Screwdriver
Please read all instructions before assembly.



Step 1 : Mount both sides of Seat Cushion (A) onto the rear rib of the Steel Frame (C1 or C2), with special coated Ni-Lock Screws (D) and tighten with screwdriver.

Step 2 : Place the Back Cushion onto the back rib on top of the side Steel Frame (C1 or C2), attach it with the Hex Screws (E) and tighten with screwdriver.

Assembly Notes :

During assembly, hand tighten screws only when all screws are in place, you may then tighten all screws completely.

CAUTION :

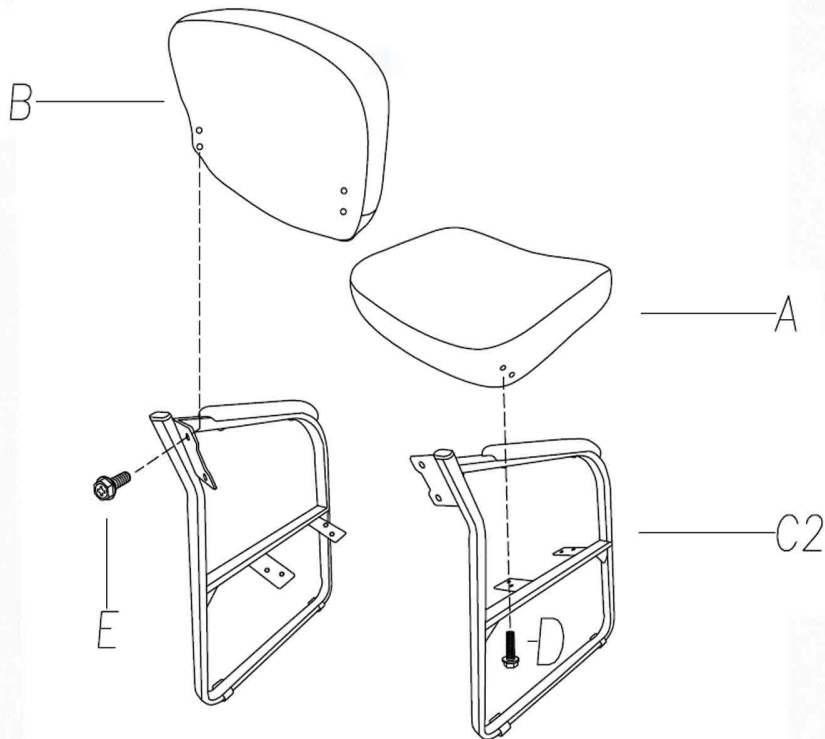
1. Do not use this chair as a step ladder.
2. Check for loose screws and tighten them every 6 months.

WEIGHT CAPACITY : 500 LBS



Questions? Call Customer Service at 1-800-443-5117
Monday - Friday 8:30 AM to 5:00 PM Central Time
www.modernofficefurniture.com

408VAF / 408VAV Arm Version



408VNF / 408VNV Armless Version

