

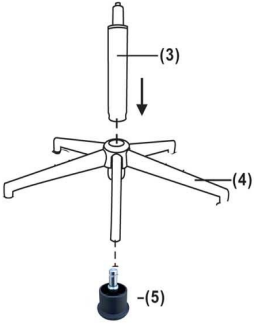
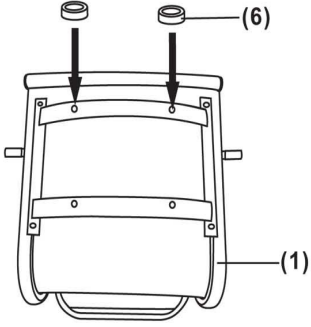
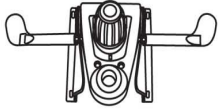

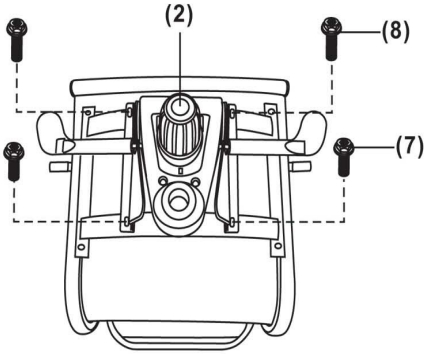

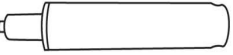


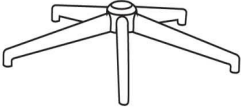
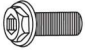





**MODERN**  
OFFICE

# Y11840 - Leather Padded Swivel Guest Chair Assembly Instructions

<p>(1)X1</p> 	<p>(5)X5</p> 	<p>①</p> 	<p>②</p> 
<p>(2)X1</p> 	<p>(6)X2</p> 	<p>③</p> 	<p>④</p> 
<p>(3)X1</p> 	<p>(7)X2</p> 	<p>⑤</p> 	
<p>(4)X1</p> 	<p>(8)X2</p> 		
	<p>(9)X1</p> 		

Questions? Call Customer Service at 1-800-443-5117, Monday - Friday 8:30 AM to 5:00 PM Central Time

[www.modernofficefurniture.com](http://www.modernofficefurniture.com)