


VELA

H 
 $\Phi 6 \times 15 \times 1 \text{MM} / 2 \text{PCS}$

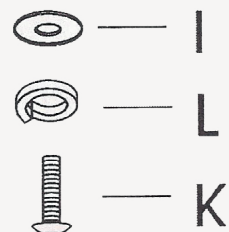
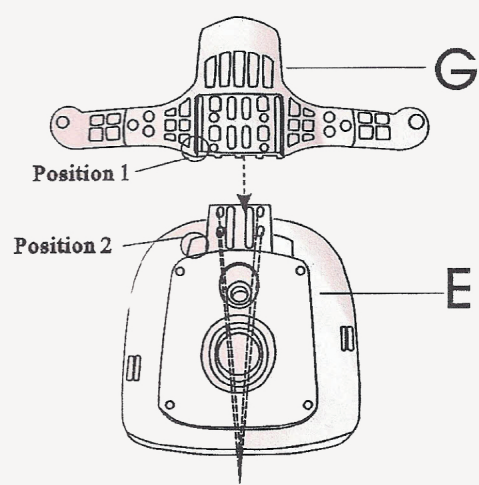
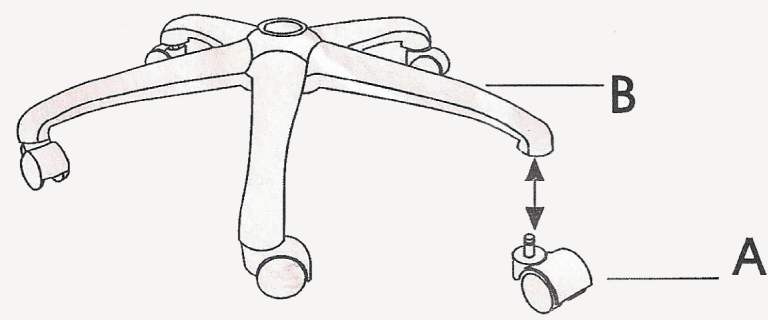
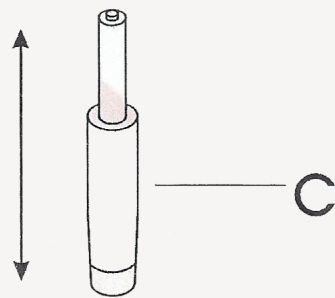
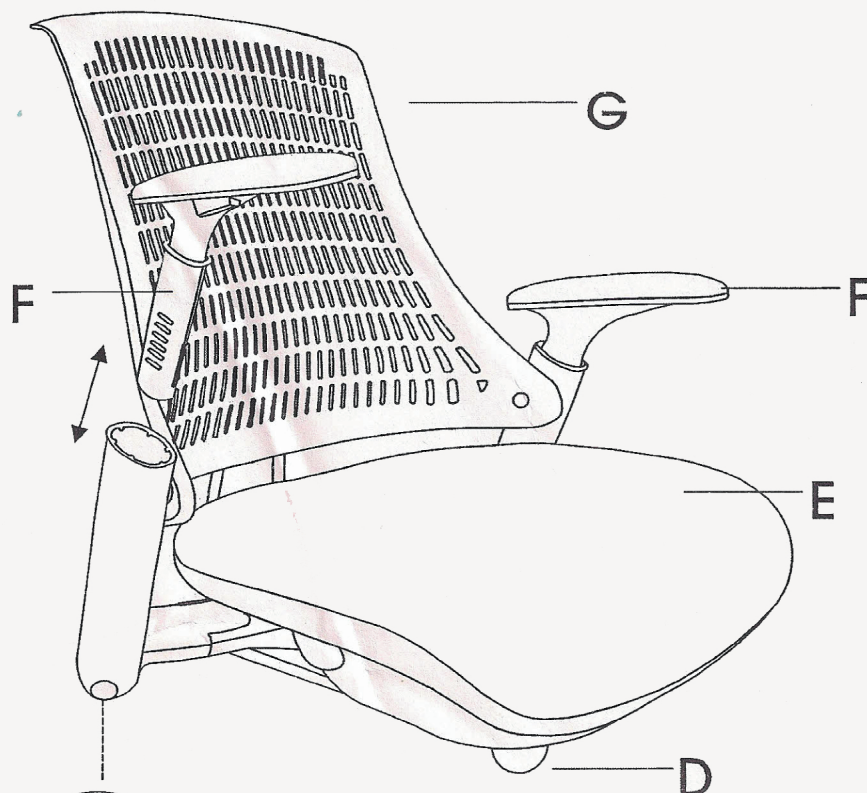
I 
 $\Phi 6 \times 18 \times 1 \text{MM} / 4 \text{PCS}$

J 
 $M6 \times 16 \text{MM} / 2 \text{PCS}$

K 
 $M6 \times 20 \text{MM} / 4 \text{PCS}$

L 
 $8 \text{MM} / 4 \text{PCS}$

M 
 $M5 \times 1 \text{PC}$



Note:
 Push the backrest (G) and seat (E) until position 1 attached to position 2.
 Maintain close and tighten the screws.